

Model SCXB3/G-15AL Embedded Mount Bench
with Hot-Dip Galvanized Frames, 15 Ft. long
with Aluminum back and seat.

- **Extra heavy design to be stronger and more stable with a simple, clean style.**
- **Sturdy, formed and welded steel frame construction**
- **Frames are Hot-Dip Galvanized after fabrication for superior corrosion resistance**
- **Structurally reinforced extruded Aluminum Seats with clear anodized finish**
- **Quality construction throughout**

SPECIFICATIONS:

- **Model SCXB** end frames are one-piece, welded construction with a back and seat bracket of 2-3/8" x 1-1/2" x 1/8" nominal sized, die-formed channel, and a 2.375" (2-3/8") O.D. post to meet 2" nominal steel pipe size specifications. Bench legs are to be permanently embedded in concrete footings.
- **Model SCXB3/G-15** is 15 ft. long (nom.) with three frames.
- **Model SCXB5/G-21** is 21 ft. long (nom.) with five frames.
- **Model SCXB5/G-24** is 24 ft. long (nom.) with five frames.
- **Standard:** All steel frame components are hot-dip galvanized after fabrication to ASTM-A123 to maintain an average zinc coating of 2.0 oz. per sq. ft. of surface area (indicated by "/G" in model no., e.g. SCXB3/G-15AL).
- Aluminum is extruded 6063-T6 aluminum alloy in planks with dimensions equivalent to that of 2" x 10" nominal sized lumber. The plank design is 1-3/4" x 9-5/8" with four structural reinforcement ribs for greater rigidity. Aluminum planks are provided with a clear anodized finish as per anodizing specification 204 R1.
- Channel end caps are of extruded 6063-T6 aluminum alloy provided with a clear anodized finish as per anodizing specification 204 R1. End caps are press fitted over ends of aluminum planks and mechanically fastened in place at the factory.
- Aluminum planks are provided with galvanized carriage bolts, nuts, and precision fitted aluminum brackets to fasten planks to bench frames.
- **Optional:** Color choices of powder coated steel frame components. For optional colors choices see Specification Bulletin # SPC-CO-001.
- **Optional:** A welded base plate on each leg with two 9/16" dia. holes designed to secure bench to hard surfaces. To specify, add "P" after SCXB3 in model number, e.g. SCXB3/P/G-15AL.

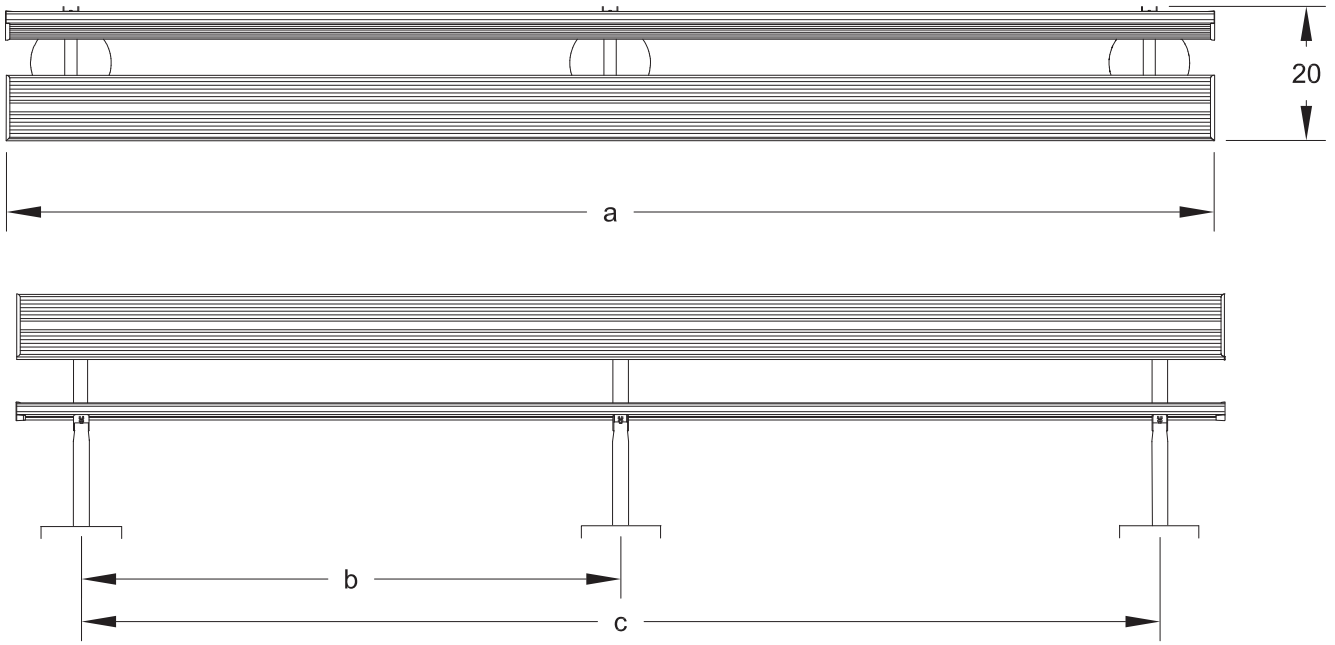
AVAILABLE OPTIONS




15', 21', or 24' models
Powder Coat Finish in choice of colors for Steel
Frame components

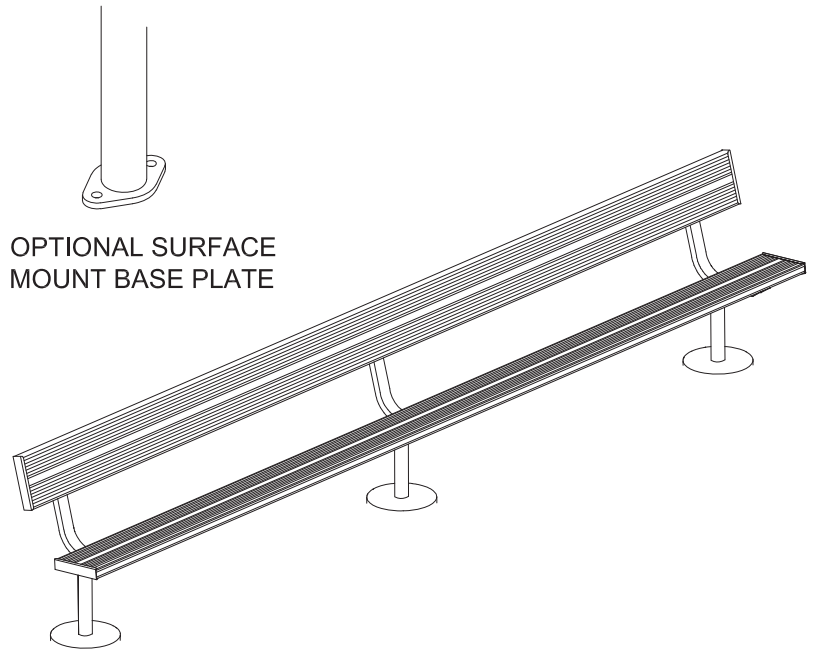
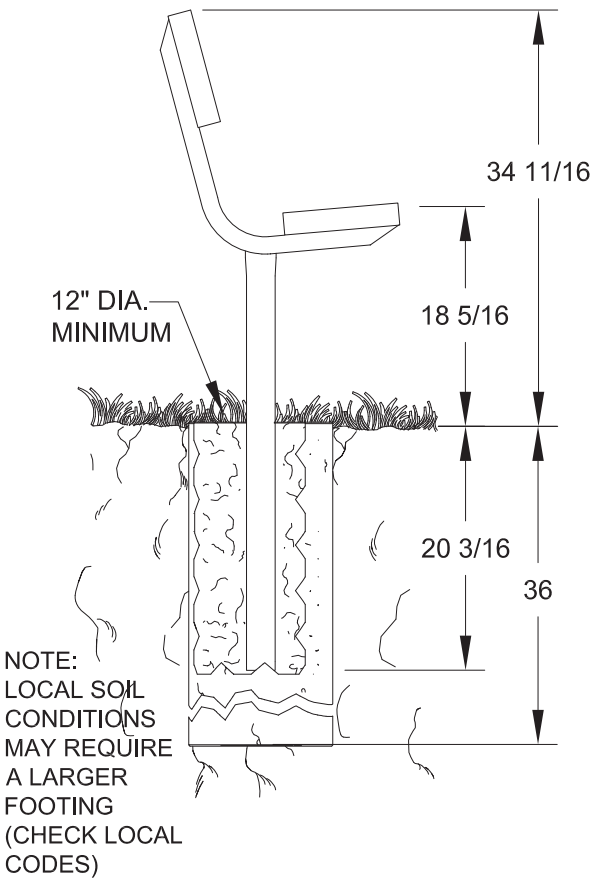
RJ Thomas Mfg. Co., Inc.

PO Box 946 • Cherokee, IA 51012-0946 • PH: 712-225-5115 • 800-762-5002 • FAX: 712-225-5796
E-mail: pilotrock@rjthomas.com • Web Site: <https://www.pilotrock.com>

© 2023 RJ Thomas Mfg. Co., Inc. PILOT ROCK® Park Products is a registered trademark of RJ Thomas Mfg. Co., Inc.



MODEL NUMBER	DIMENSION			NO. OF FRAMES
	a	b	c	
SCXB3-15	180	80 1/4	160 1/2	3 
SCXB5-21	252	60	240	5 
SCXB5-24	288	70	280	5 



ALL DIMENSIONS IN INCHES

RJ Thomas
Mfg. Co., Inc.
P.O. Box 946
Cherokee, IA 51012

TITLE MODEL SCXB EXTRA HEAVY DUTY 15, 21, AND 24 FOOT EMBEDDED MOUNT BENCH WITH ALUMINUM SEAT AND BACK

DRAWN BY WWM
DATE 2-22-07
DWG. NO. AI-1769